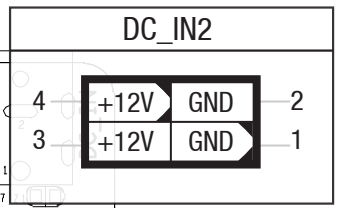
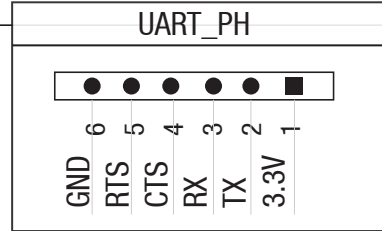
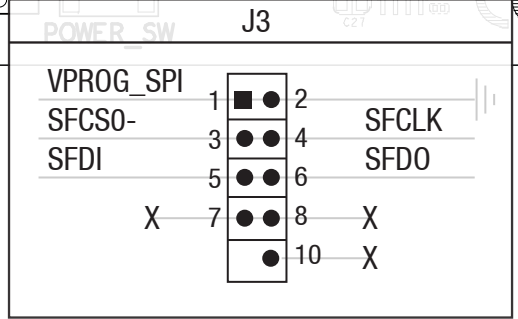
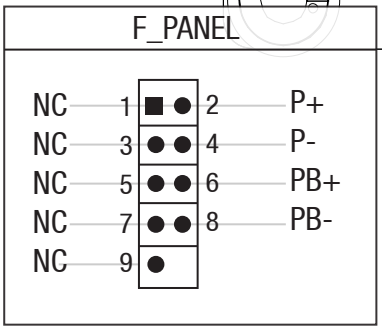


APC
a bicycle for your mind

PCB MADE IN CHINA

USB Host Mode: 1-2 short(Default)
USB Device Mode: 2-3 short!



MODEL	APC
NUMBER	8750
DWG.	Allen Hsieh
DATE	2012/5/8
SHEET	1 of 1

TITLE	Pinout Diagram
Dimensions are in millimeters unless otherwise specified.	



More engineering resources are available at <http://apc.io/library>.

This work is licensed under the Creative Commons Attribution-ShareAlike 3.0 License. To view a copy of this license, visit <http://creativecommons.org/licenses/by-sa/3.0/legalcode>; or, send a letter to Creative Commons, 172 2nd Street, Suite 300, San Francisco, California, 94105, USA.